

Project Name: \_\_\_\_\_  
 Location: \_\_\_\_\_  
 Engineer: \_\_\_\_\_  
 Submitted to: \_\_\_\_\_  
 Submitted by: \_\_\_\_\_  
 Reference: \_\_\_\_\_

Approval: \_\_\_\_\_  
 Date: \_\_\_\_\_  
 Construction: \_\_\_\_\_  
 Unit #: \_\_\_\_\_  
 Drawing #: \_\_\_\_\_

### Performance

*Indoor Unit Model No:* FDXS09LVJU  
*Outdoor Unit Model No:* RXS09LVJU  
*Rated Cooling Capacity (Btu/hr):* 8500  
*Sensible Capacity (Btu/hr):* 7130  
*Max/Min Cooling Capacity (Btu/hr / kW):* 8500/4400  
*Cooling Input Power (kW):* 0.76  
*SEER:* 15.1  
*Rated Heating Capacity (Btu/hr):* 10000  
*Max/Min Heating Capacity (Btu/hr / kW):* 10000/4400  
*Heating Input Power (kW):* 0.85  
*Heating COP (Btu/hr / Btu/hr):* 3.28  
*HSPF:* 10.3

*Indoor Unit Type:* Concealed Ceiling (Low Static)  
*Condensing Unit Type:* High SEER Heat Pump  
*Rated Cooling Conditions*  
 Indoor: 80°F DB/67°F WB  
 Outdoor: 95°F DB/75°F WB  
*Rated Heating Conditions*  
 Indoor: 70°F DB/60°F WB  
 Outdoor: 47°F DB/43°F WB  
*Rated Piping Length(ft)* 25  
*Rated Height Separation(ft)* 0

### Indoor Unit Details

*Power Supply (V/Hz/Ph):* 208-230/60/1ph  
*Power Supply Connections:* L1, L2, Ground  
*Min Circuit Amps MCA (A):* N/A  
*Max Overcurrent Amps MFA (A):* N/A  
*Dimensions (HxWxD):* 7-7/8x27-9/16x24-7/16  
*Panel (HxWxD):* N/A  
*Net Weight (lbs):* 47  
*Weight with Panel (lbs):* N/A

*Airflow Rate (CFM wet coil)* 305/280/235  
*Moisture Removal (pt/h):* 2.5  
*Gas Pipe Connection (inch):* 3/8  
*Liquid Pipe Connection (inch):* 1/4  
*Condensate Connection (inch):* 25/32  
*Sound Pressure Level (dBA):* 35  
*Sound Power Level (dBA):* 51  
*Static Pressure Rated/Max (inWg)* 0 / 0.12/0.12

### Condensing Unit Details

*Power Supply (V/Hz/Ph):* 208-230/60/1ph  
*Power Supply Connections:* L1, L2, Ground  
*Min. Circuit Amps MCA (A):* 8  
*Max. Overcurrent Amps MFA (A):* 15  
*Max. Starting Current MSC(A):*  
*Rated Load Amps RLA (A):* 3.7  
*Dimensions (HxWxD):* 21-5/8x30-1/8x11-1/4  
*Net Weight (lbs):* 75

*Compressor Type:* Inverter  
*Capacity Control Range (%):*  
*Airflow Rate (CFM):* 1102  
*Gas Pipe Connection (inch):* 3/8  
*Liquid Pipe Connection (inch):* 1/4  
*Sound Pressure Level (dBA):* 47  
*Sound Power Level (dBA):* 63

### System Details

*Refrigerant Type:* R-410A  
*Holding Refrigerant Charge (lbs):* 2.43  
*Additional Charge (oz/ft):* 0.21  
*Pre-charge Piping (Length ft):* 32.8 ft  
*Max. Pipe Length (Total ft):* 65.6 ft

*Max. Pipe Length (Vertical ft):* 49.2 ft  
*Cooling Operation Range (°F):* 14 - 115  
*Cooling Range w/Baffle (°F):* 0 - 115  
*Heating Operation Range (°F):* 5 - 64  
*Heating Range w/Baffle (°F):* 0 - 77

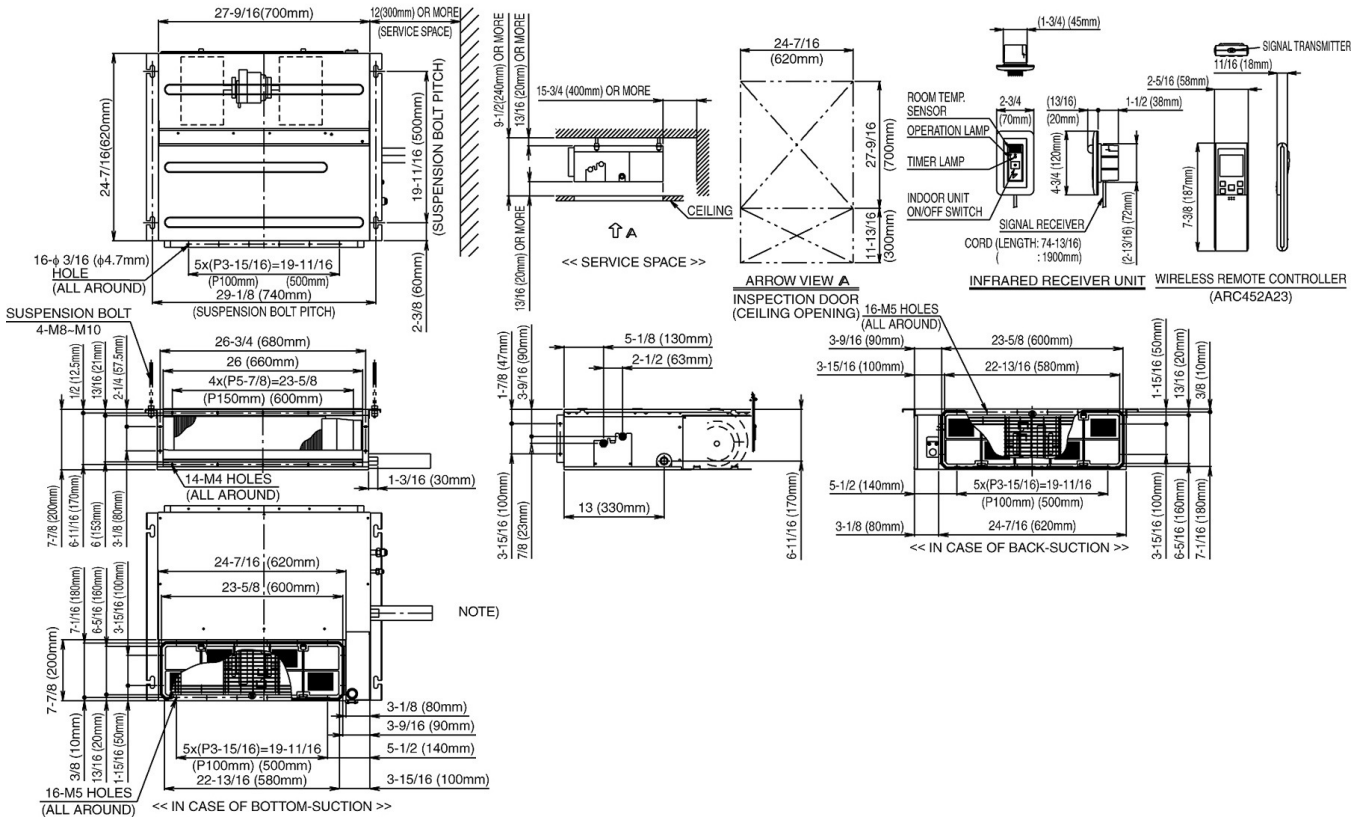
Project Name: \_\_\_\_\_  
 Location: \_\_\_\_\_  
 Engineer: \_\_\_\_\_  
 Submitted to: \_\_\_\_\_  
 Submitted by: \_\_\_\_\_  
 Reference: \_\_\_\_\_

Approval: \_\_\_\_\_  
 Date: \_\_\_\_\_  
 Construction: \_\_\_\_\_  
 Unit #: \_\_\_\_\_  
 Drawing #: \_\_\_\_\_

## Dimensional Drawing - Indoor Unit

FDXS09LVJU

FDXS09\_12LVJU  
 Unit (in.)



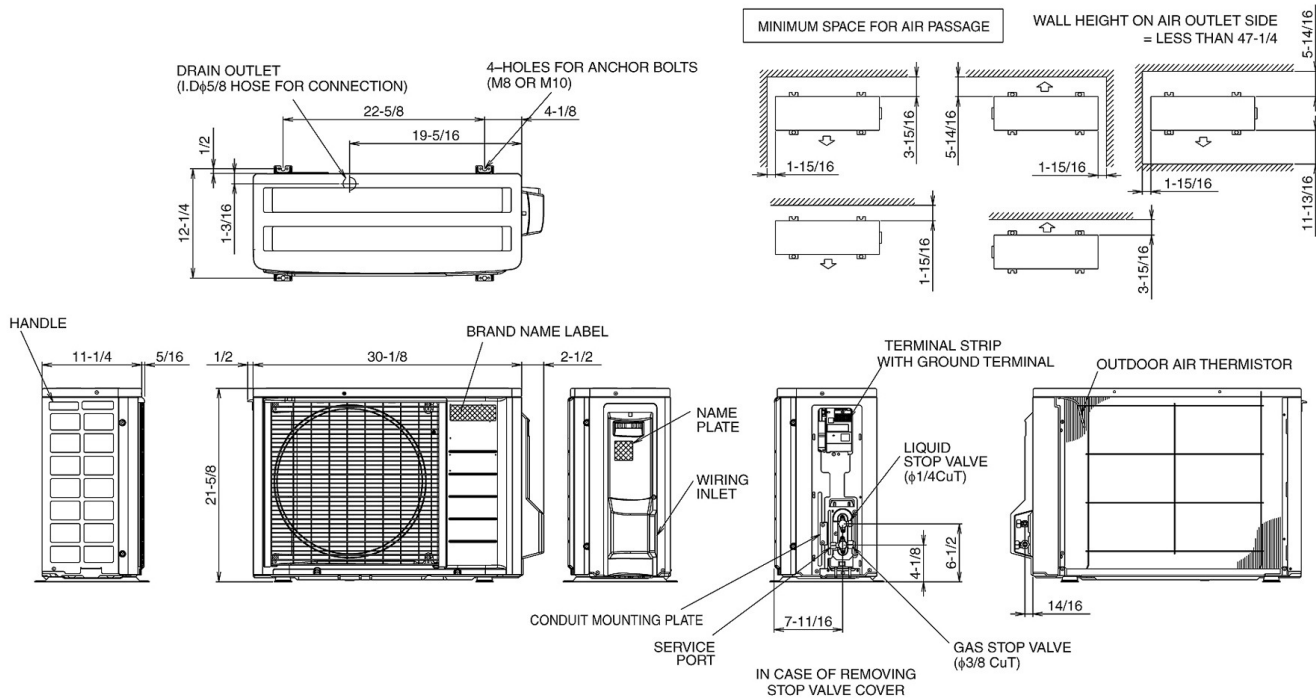
Project Name: \_\_\_\_\_  
 Location: \_\_\_\_\_  
 Engineer: \_\_\_\_\_  
 Submitted to: \_\_\_\_\_  
 Submitted by: \_\_\_\_\_  
 Reference: \_\_\_\_\_

Approval: \_\_\_\_\_  
 Date: \_\_\_\_\_  
 Construction: \_\_\_\_\_  
 Unit #: \_\_\_\_\_  
 Drawing #: \_\_\_\_\_

**Dimensional Drawing - Condensing Unit**

RXS09LVJU

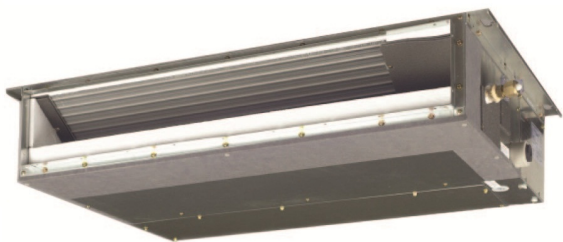
RXS09/12D(A)VJU  
Unit (in.)



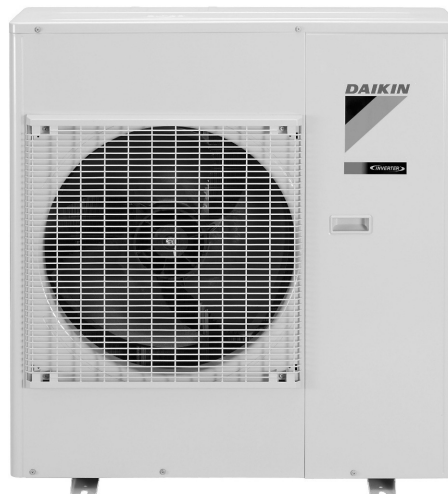
Project Name: \_\_\_\_\_  
 Location: \_\_\_\_\_  
 Engineer: \_\_\_\_\_  
 Submitted to: \_\_\_\_\_  
 Submitted by: \_\_\_\_\_  
 Reference: \_\_\_\_\_

Approval: \_\_\_\_\_  
 Date: \_\_\_\_\_  
 Construction: \_\_\_\_\_  
 Unit #: \_\_\_\_\_  
 Drawing #: \_\_\_\_\_

**FDXS09LVJU**



**RXS09LVJU**



**FDXS09LVJU**

Options include Wind Baffle, Wired Remote Controller, Mounting Bracket, Std U.S. Warranty: 7yrs Compressor, 5yrs Parts

**RXS09LVJU**

Options include Wind Baffle, Wired Remote Controller, Mounting Bracket, Std U.S. Warranty: 7yrs Compressor, 5yrs Parts